

HALO IP65 Gen 2

Recessed Downlight DALI IP65



230 Lumens	3 Watts	6000K	Recessed Mounting
LiFePO4 Battery	Class II	IP 65	6Y Warranty

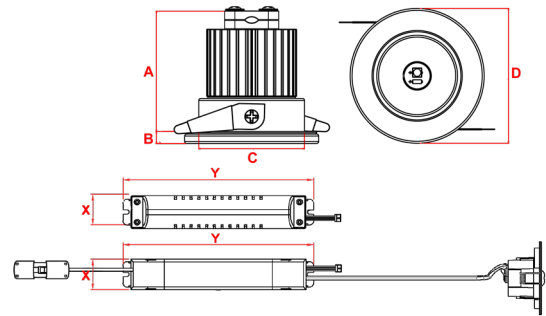
Materials

Lamp Head: Spun Aluminium
 Lens: Polycarbonate
 Remote Pack: Flame Retardant ABS

Standard Colour: White - RAL 9016
 Alternative Colours Available Upon Request

Warranty

Standard Warranty: 6 Years
 Alternative Warranty: 10 Years
 Add /10 Years to Order Code



Order Code	HA2NM3/LEDIP65DA
Mode of operation	Non-Maintained
DALI Interface	For Controlled Monitoring and Reporting
Emergency duration	3 hours
Input voltage	230/240V (207VAC - 264VAC) 50/60Hz
Power consumption	2VA, I _{nom} = 8mA (Full Battery)
Battery type	Rechargeable LiFePO4 Battery 3.2V 3.6Ah
Battery low voltage cut off	2.6V DC
Battery discharge current @ 3.2V DC	0.67A
Lamp	3 Watt
Lamp colour	6000K
Lamp lumen level in emergency	230 lm
Nominal lamp voltage	V _{rated} = 3V DC
Nominal lamp current	I _{rated} = 0.53A CC
Nominal lamp power	P _{rated} = 2W
Maximum output voltage with no lamp connected	U-OUT = 10VDC
Ingress Protection	IP65 (Head) IP40 (Control Gear)
Cut-Out	44mm Cut-Out
Minimum Ceiling Void (From top of Ceiling Surface)	200mm Ceiling Void
Maximum Ceiling Surface Thickness	18mm
Cable entry	Recessed Pack
Incoming DALI Comms cable size cross sectional area	1 x 1.5mm ² single conductor
Luminaire class	Class II
Product Weight	0.50 Kg
Packaging Weight	0.051 Kg
Standards	EN61347-2-7, EN61347-2-13, EN 60598-2-22, EN 55015
Environment	0°C to 45°C up to 80% relative humidity

System	Order Code	Mode of Operation	Battery	Battery P/N	Lumens (Emergency)	Dimensions (mm)					
						A	B	C	D	X	Y
DALI	HA2NM3/LEDIP65DA	Non-Maintained	3.2V, 3.6Ah LiFePO4	70268	230	46	4.5	41	50	36	196
Alternative Systems Available: Specification Sheets Available Upon Request											
Standalone	HA2NM3/LEDIP65	Non-Maintained	6.4V, 1.5Ah LiFePO4	70267	230	46	4.5	41	50	28	196
Central Battery*	ZHALED3W230SIP	Slave	-	-	300	46	4.5	41	50	50	220
DALI Central Battery*	ZHALED3W230SIPDA	Slave	-	-	300	46	4.5	41	50	56	200

Photometrics

Mounting Height	Lighting level directly under Luminaire (Lux)	Luminaire Spacing (Metres)			
		0.5lx	1.0lx	0.5lx	1.0lx
2.5m	43.77	3.4	3.0	7.7	6.8
2.7m	37.53	3.5	3.2	8.1	7.0
3m	30.40	3.8	3.4	8.7	7.6
4m	17.11	4.6	4.1	10.2	9.2
6m	7.60	6.1	5.4	13.5	12.1
8m	4.28	7.3	6.0	16.5	14.7
10m	2.74	8.2	5.8	19.2	16.5

